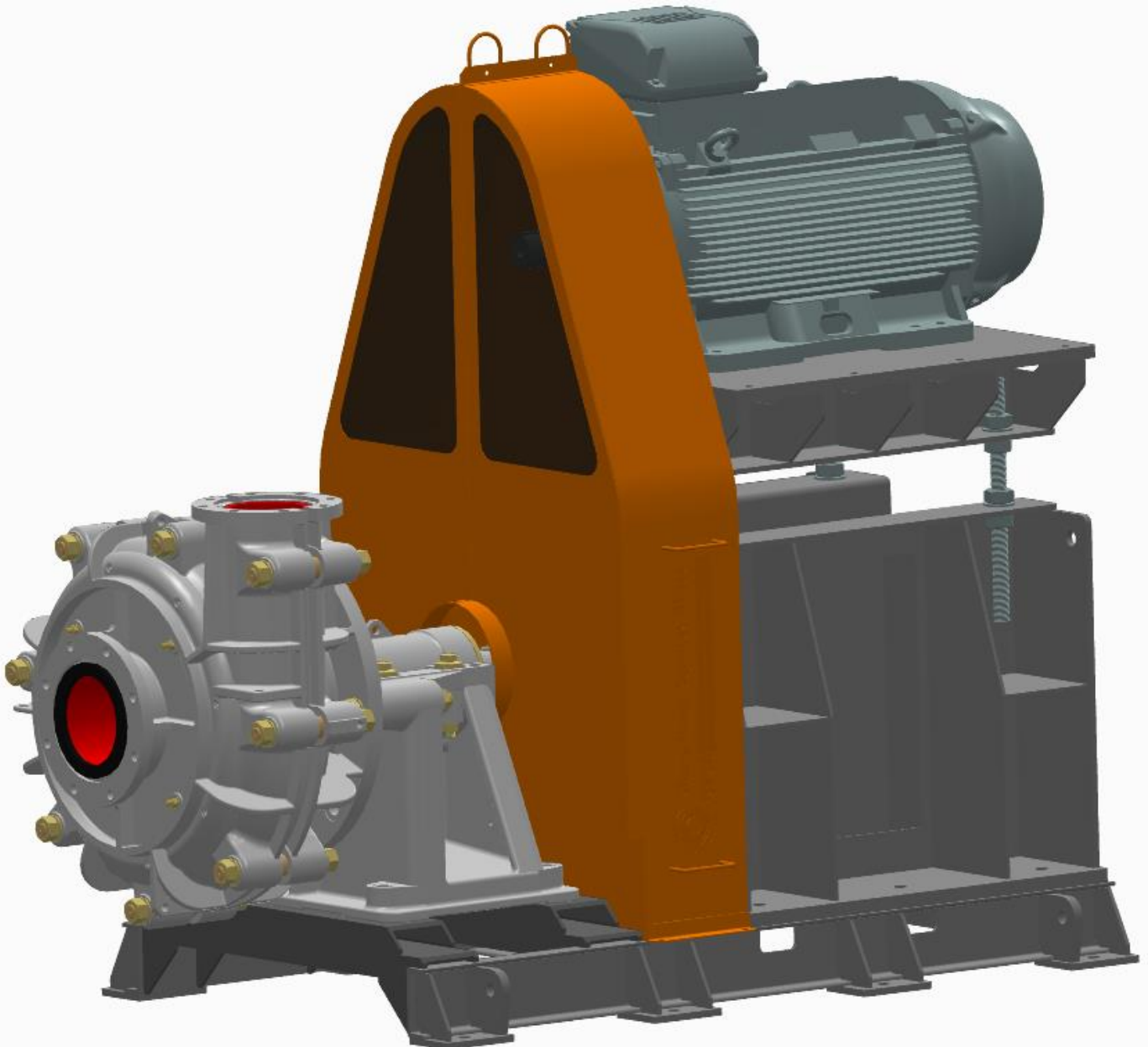


Slurry Pump Services Africa
SPSA

Company profile



OUR COMPANY

SPSA is a South African pump and associated equipment supply company that specialises in the design and consulting, sales, manufacturing and installation of proper engineered pumping solutions in the Mining, minerals processing, water treatment and water transfer related industries.

MISSION AND VISION

Slurry Pump Services Africa mission is to establish the company as a proffered supplier of pumps and associated equipment that is underpinned by the following:

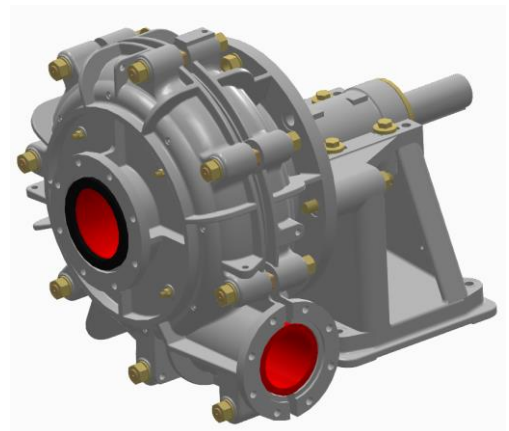
- Customer focus
- Reliability of equipment
- Low cost pumping
- Improving ownership cost

PRODUCTS AND SERVICE

Slurry Pump Services Africa strives to design and manufacture pumping systems with the lowest possible ownership cost that is technically advanced for the applications.

Our product range and services includes:

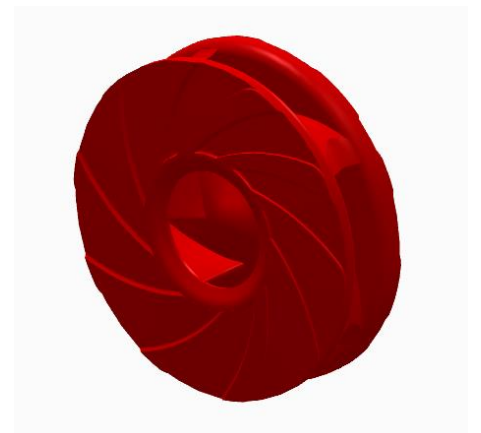
- Slurry pumps and spares
- Water pumps and spares
- Peristaltic pumps and spares
- Piping and fittings fabrication
- Equipment installation
- Engineering and consulting
- Fault finding and reporting
- Equipment supply that relates to pump systems



SLURRY PUMPS AND SPARES

SPSA supply slurry pumps for all applications in the mining process designed to the highest industry standards set over the years.

Our horizontal slurry pumps are available in the ultra heavy duty as well as the medium duty designs for applications varying from the harsh mill discharge to the less abrasive flotation applications. We supply both the soft rubber lined as well as the hard metal chrome alloys internals in the full range of slurry pumps.



The seal type will be dependent on the application e.g. gland water or expeller seal.

The equipment offered by our company are compatible replacement items designed to fit our and other brands of slurry pumps.

VERTICAL SPINDLE PUMPS

SPSA also supply the vertical spindle slurry pumps and spare parts for the industries that we serve.

We can manufacture the pump wet end parts in various different materials specifically designed for the typical spillages handled in the industry. Different materials could be confirmed.

The pump lengths vary between 900 and 2100 mm depending on the application and pump speed limitations.

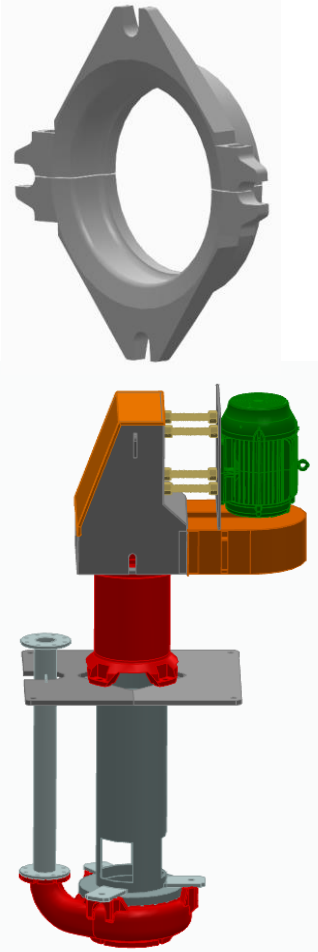
WATER PUMPS AND SPARES

Slurry Pump Services Africa represent various clear water pump manufacturers.

We supply pumps in general water transfer applications using end suction and horizontal split case pumps

SPS further specialise in gland water system design, supply and installation. To date we have been involved in a number of gland water systems using multi stage pumps.

Typical designs include the main feed header been pressurised with flow and control equipment to ensure water at the correct flow and pressure to each gland. Alternatively we allow for take-offs on the different pump stages for the correct pressures.



PUMP REFURBISHMENT

Our workshop are repairing and refurbishing pumps and bearing assemblies daily making sure that service exchange units are readily available, ensuring minimal down time on site. Onsite maintenance contracts are available.

Before



After



EQUIPMENT INSTALLATION

Slurry Pump Services has completed a number of turnkey projects with the fabrication, supply and installation of the entire project. Work carried out by SPS are as follows:

- The installation of pumps and motors onto the basis and grouting in of the bases
- Laser alignment of direct coupled 14/12 pumps and 530kW motors
- Installation of pipe work and fittings between pumps and onto the slimes dam
- Installation of 400NB overland pipe work
- Installation of valves and instrumentation
- Pressure testing of piping and equipment up to 38 bar



EQUIPMENT SUPPLY

Slurry Pump Services are representing a number of other OEM equipment manufacturers in the area and are supplying market leading brand names. We are supplying these products as listed below:

- Slurry pumps, rubber or metal lined & motors
- Vertical spindle spillage pumps & motors
- High head dirty water pumps & motors
- Aerzen Blowers
- Clear water pumps & motors
- Submersible dewatering pumps
- Emergency diesel / electric driven dewatering pumps
- Pump spare parts
- Peristaltic pumps with gearboxes & motors
- Steel fabrications e.g. pump bases & guards
- Steel piping and fittings
- HDPE piping and fittings
- Rubber hoses
- Anti vibration bellows
- Fasteners and gaskets
- Wedge belt drive sets & couplings / gearboxes
- Valves
- Orifices

ENGINEERING & CONSULTING

Slurry Pump Services staff have many years of pumping experience in design requirements and problem solving investigations. We specialise in the following fields that could be of interests to your company:

- Slurry pump system designs and selecting suitable equipment and drawing up specifications for tenders. We specialise in high wearing applications such as mill discharge, frothy slurry and high pressure tailings disposal.
- Slurry Pumps Plant audit
- Gland water system design for slurry process plants
- Pump wear problem investigations and recommendations
- System problem solving investigations such as settling velocity problems and corrective action reports
- Project management on pumping projects

EXPORTS

SPSA exports a wide range of slurry and clear water pumps & spare parts to the DRC, Zambia, Guinea and Sierra Leone.

PUMP RENTALS

Our extensive rental fleet comprises submersible drainage and dewatering pumps, slurry and sludge pumps, diesel driven pumps, dredging system, flotation devices and accessories.





MANAGING DIRECTOR



PIETER DU PLESSIS

Cel: +27 (79) 524 4092
Whatsapp: +27 (79) 524 4092
Email: pieter@slurryservices.com
Office: +27 (15) 781 7817

WE ARE APPROVED SUPPLIERS OF THE FOLLOWING CAPITAL EQUIPMENT:



CONTACT US

Physical address: 5 & 7 Leyd street
Phalaborwa, 1390
Limpopo Province
South Africa

Postal address: PO Box 2073
Phalaborwa
1390

Telephone: + 27 15 781 7817
+ 27 15 781 7452

Fax number: + 27 15 781 7664
+ 27 86 246 2147

Emergency numbers: + 27 79 524 4092
+ 27 76 210 1155

Email address: pieter@slurryservices.com
dohan@slurryservices.com



Slurry Pump Services Africa (PTY) LTD

Reg no. 2021 / 404585 / 07
VAT no. 4890295043
5 Leyd Street,
PO Box 2073,
Phalaborwa, 1390
South Africa

Mobile: +27 79 524 4092
+27 76 210 1155
Email: pieter@slurryservices.com
dohan@slurryservices.com

SPSA